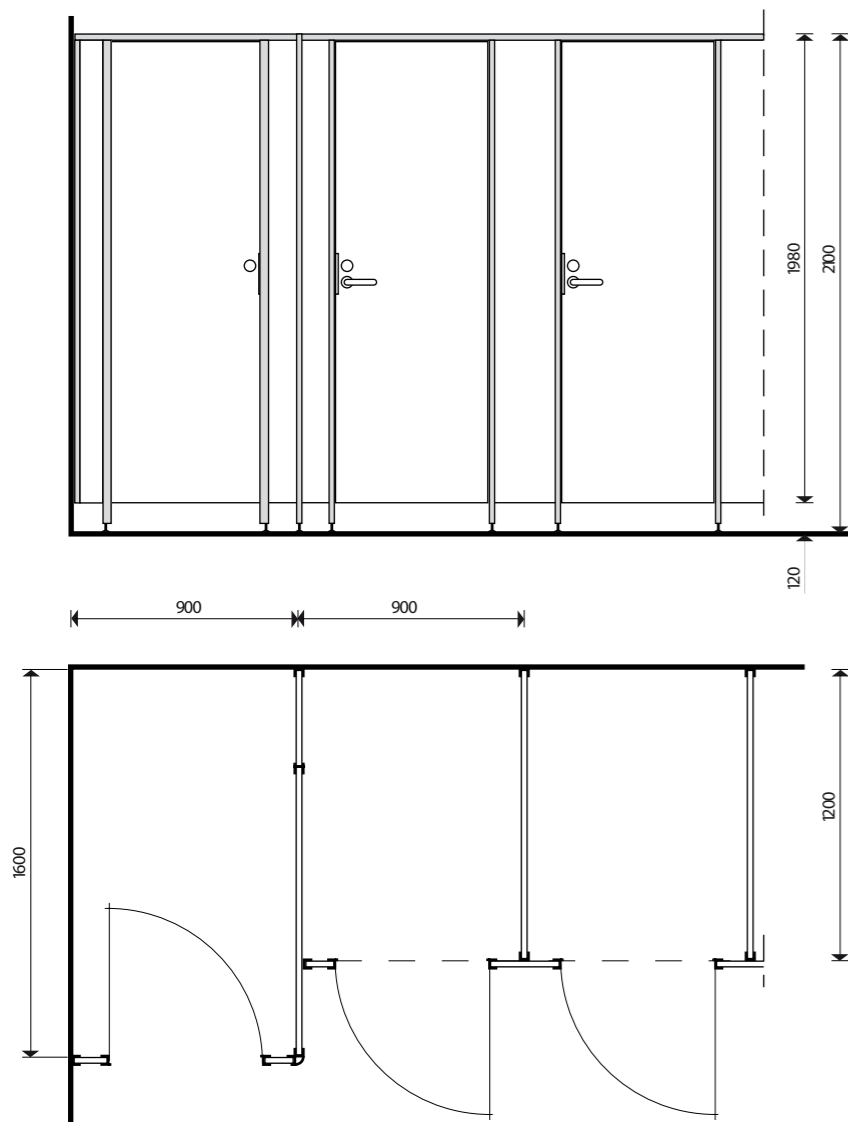
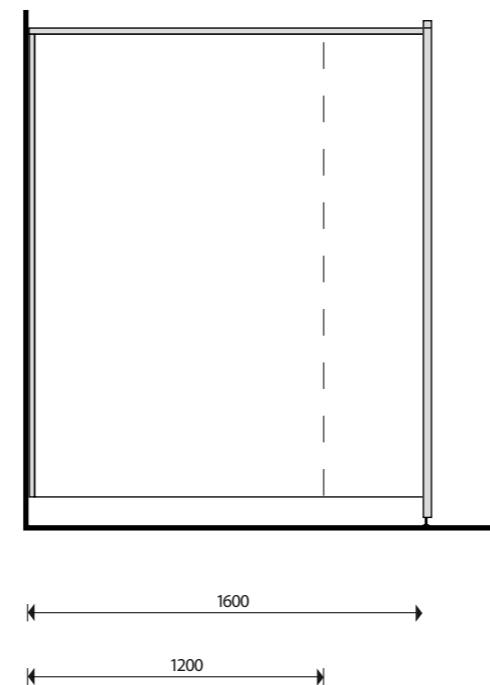


Dimensions of partitions with doors



Dimensions of shower partition walls



INSTALLATION INSTRUCTIONS FOR LTT CUBICLES

General

The wall elements of LTT cubicles are delivered on special pallets designed to protect the delicate laminate surfaces during transportation and storage. Aluminium profiles and hardware are supplied in separate packages.

Marking

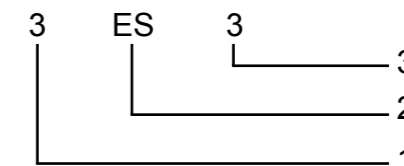
The aluminium profiles for each room have been made up into bundles with the number of the room marked on them.

The elements are coded as follows:

- OL door element
the opening direction of the door is marked
 - + left-handed, opens to the left
 - ++ right-handed, opens to the right
 - ES front wall element
 - VS partition wall
 - SS partition wall for shower
 - YL top board for cubicles exceeding
- Example

Installation of the cubicles

1. Attach the aluminium profiles (1), length 1955 mm, for the front and partition walls to the walls of the room. Use 4 x 40 screws. The profiles should be 120 mm above the floor. Check that the top ends of the profiles are on the same level.



1. Number of room
Every room with cubicles has its own running number which is marked on every element and bundle of profiles to be installed in the same room.
2. Code of element
3. Ordinal number of element
Different sized elements having the same code and belonging to the same room are marked with an ordinal number.



Box 94, FIN-07901 LOVIISA, FINLAND
 Telefon: +358 (0)19 510 31 Fax: +358 (0)19 510 3201
 E-mail: info@eltete.com Internet: www.eltete.com

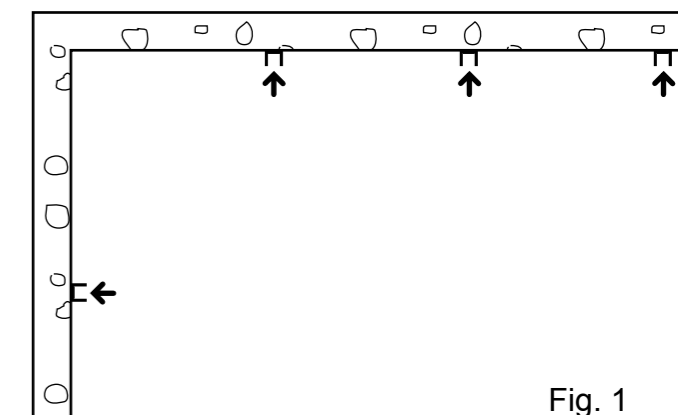


Fig. 1

2. Lift the partition walls into vertical position and fasten them to the aluminium profiles by using 4 x 20 screws. Place 120mm high supports below the elements at the front edge.

3. Attach aluminium profiles (1), length 1955mm, to the front walls with 4 x 20 screws. The bottom ends of the profile and the front wall must be on the same level. Adjust the front walls into place by fastening them to the partition walls and the profiles on the side walls with 4 x 20 screws. The height of the front walls should allow fixing a horizontal profile (1), opening downward, to their top edges. The width of the doorway should be 615mm, mark the place for the adjusting screw on the floor. If the cubicles do not extend from wall to wall and a free corner is formed, profile no 3 is used in this corner.

4. Fasten the horizontal profile to the top edges of the front walls with 4 x 20 screws. Check that the width of the top of the doorway is 614 mm as well. Turn the screws of the adjustable supports into the screw pieces at the end of the door profiles (2). Mark on the floor the places of the holes of the adjustable screws by using the door profiles (2) and bore \varnothing 6 mm holes. Fasten the profiles of the door openings (2) by screws 3,5 x 30, the list of the hinge side by two screws and the list of the lock side by four screws. The cover profile (7) is to be pressed on the U-profile on the upper side of the door opening.

5. Attach doors with 3,5 x 30 screws.

6. Fasten the latches and door handles. Make a cavity to fit the latch bolt to the side of the front wall. Check that the doors shut tightly and make necessary adjustments.

7. Fasten the protective profile of door

Fig. 2

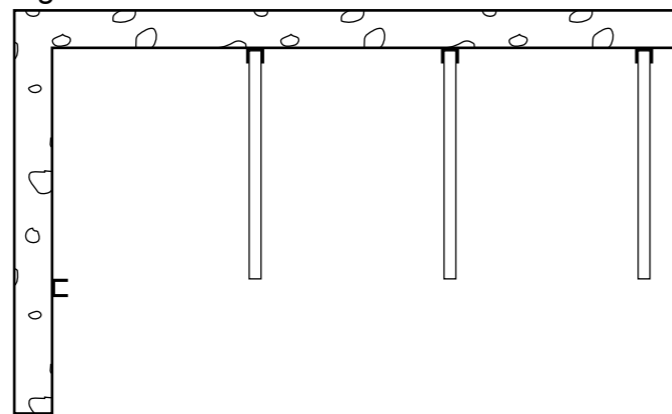


Fig. 3

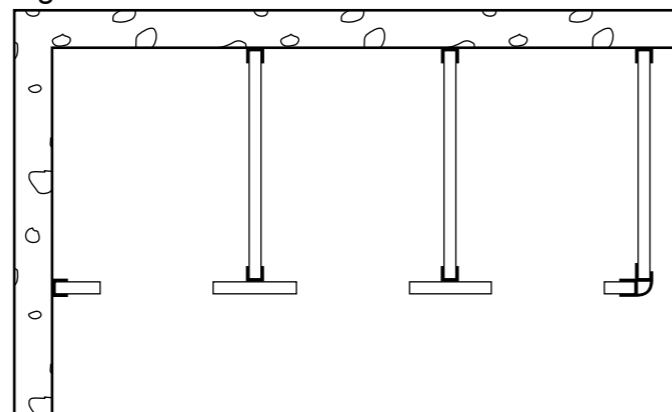


Fig. 4

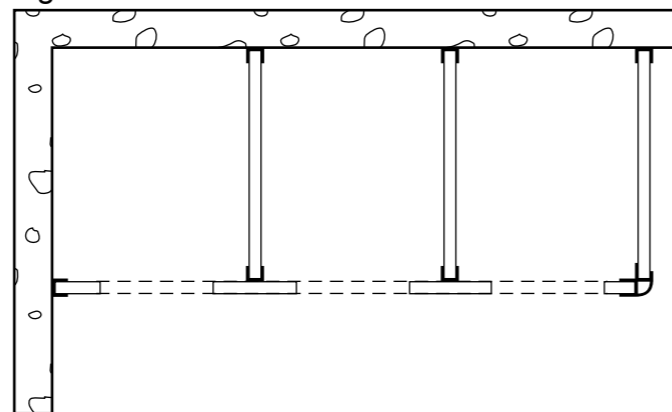


Fig. 5

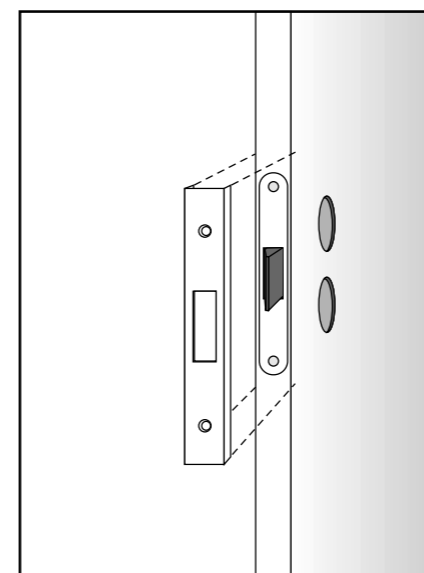
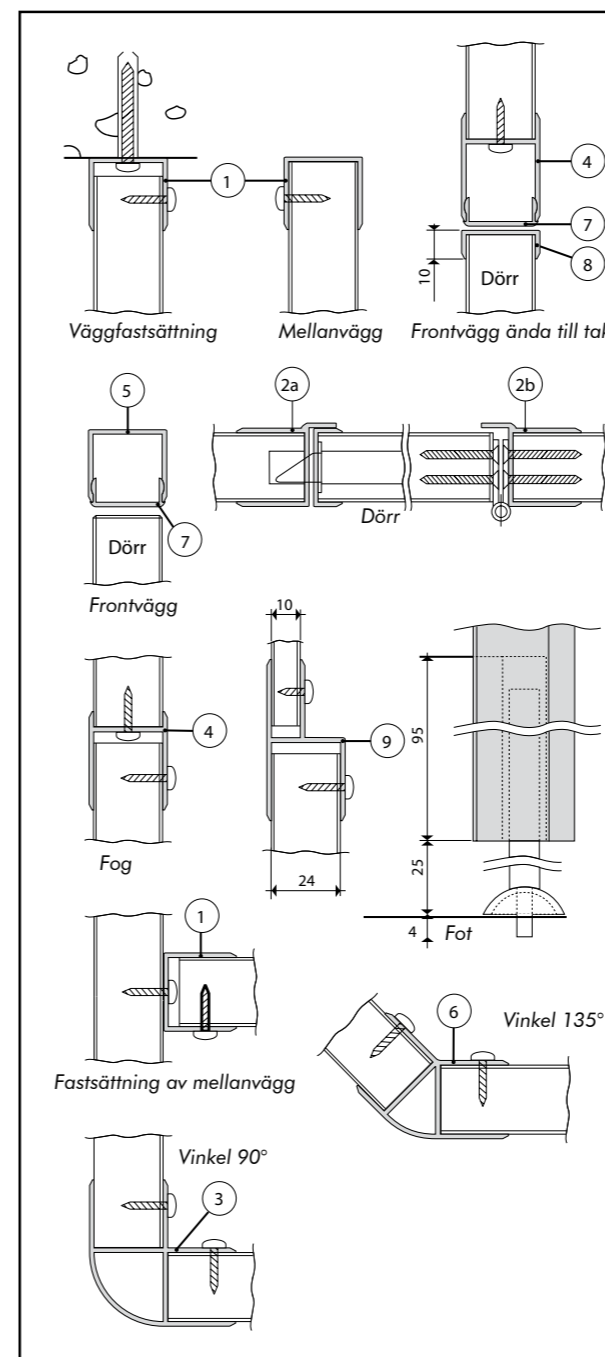
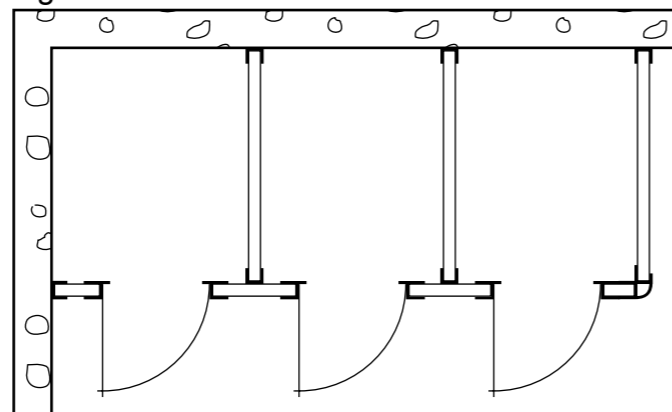


Fig.6

